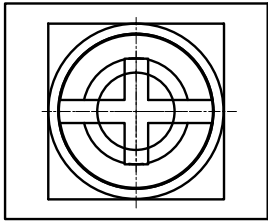
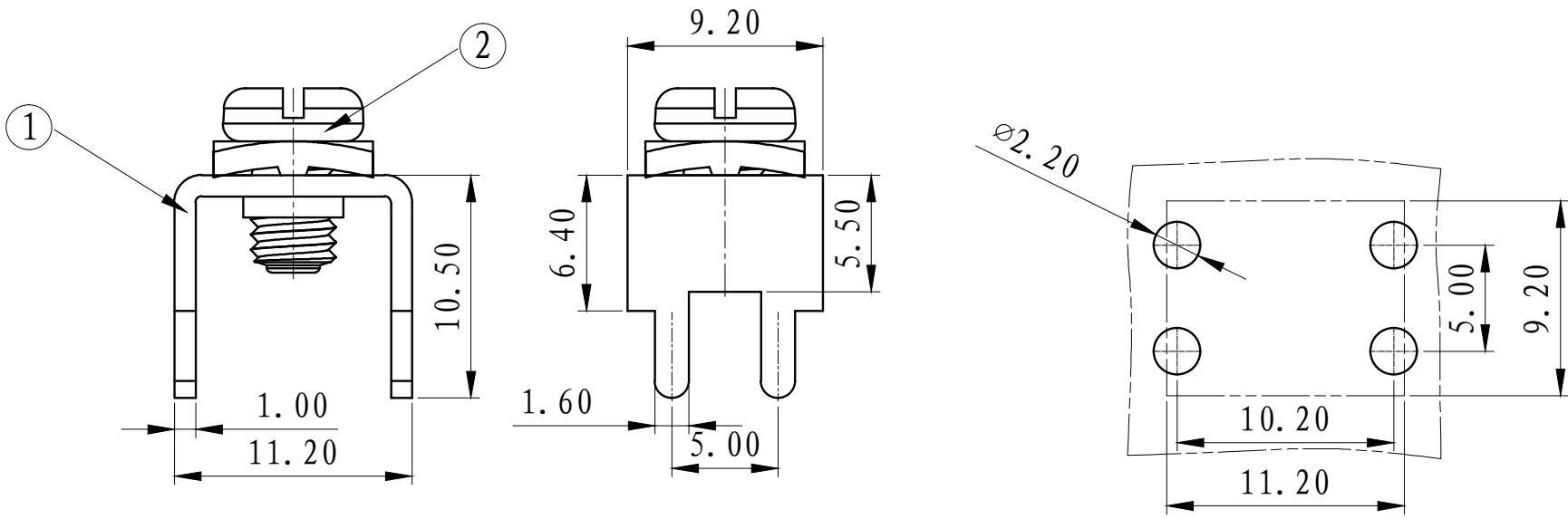


REVISION RECORD			
REV.	CONTENT	MOD.	DATE
△	初版发行		



技术要求:

1. 螺钉孔类型/扭力: M4/1.2 N.m以上
2. 适用线规格: 24-10AWG
3. 额定电流: 45A



	pitch dimension			Nominal dimension					— ▭ ⌒
	over 0 to 6	over 6 to 10	over 10 to 24	over 0 to 30	over 30 to 60	over 60 to 100	over 100 to 150	over 150	
variable range	0 to 6	6 to 10	10 to 24	0 to 30	30 to 60	60 to 100	100 to 150	150	
Tolerance	±0.1	±0.15	±0.25	±0.2	±0.3	±0.5	±0.7	±1.0	0.05/10

2	M4*	xx	1	碳钢	镀
1	E5.0*11.2*10.5/4+M4	7001T0001AV	1	黄铜	镀雾锡
NO.	NAME OF PART	NO. OF PART	QTY	MATERIAL	NOTES
DES.	ZMF	DATE	2019/04/11	UNITS	mm
CHK.	DATE	SIZE	A4	SCALE	1:1
APP.	DATE	SCALE	1:1	DWG NO.	SP-2-7001001
				TITLE	ES. 0*11.2*10.5/4+M4/5.5*7.5-100-08A
					ES. 0*11.2*10.5/4+M4/5.5*7.5产品

上海有乐电气有限公司
Shanghai YouLe Electric CO.,LTD